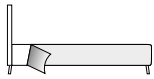


Kumo



Sfoderabile
Removable cover
Funda desenfundable

Utilizzo tessuti Twils Modello Kumo Use of Twils fabrics, Kumo model - Uso de tela Twils, modelo Kumo

Legenda - Legend - Leyenda		Cat. B					Cat. D							
X	Non realizzabile - Not available - No disponible	Art. B72 GOBI	Art. B51 TWIST	Art. D04 BILBAO	Art. E42 DAKOTA	Art. E08 BALI	Art. 679 NATURAL	Art. D57 PURE	Art. E15 SALINAS	Art. E18 TOLOSA	Art. E44 POSITANO	Art. E27 MARATEA	Art. E66 NIZZA	Art. E71 VIESTE
✓	Realizzabile - Available - Disponible	X	X	✓	✓	✓	✓	✓	✓	✓	X	✓	✓	✓

Cat. Must (M)																		
Art. 969 VELVET	Art. A64 EDEN	Art. C28 STONE	Art. D75 DECOR	Art. E43 MAIORI	Art. E04 LINEN	Art. E05 GALLERY	Art. E06 NAXOS	Art. E07 MIAMI	Art. E16 DECOR	Art. E19 DECOR	Art. E26 OSTUNI	Art. E48 LILLE	Art. E50 ROUEN	Art. E55 RICANTO	Art. E74 LONDON	Art. E84 MADEIRA	Art. E85 RIO	Art. E90 LIVIGNO
X	✓	X	X	X	✓	✓	✓	✓	X	X	✓	✓	✓	✓	X	✓	✓	✓

Cat. K													Cat. E	Cat. E plus		Cat. Luxury	
Art. C10 GLOSS	Art. D61 BOUCLÉ	Art. E35 SCHMOOZE	Art. E36 MURMUR SMALL	Art. E37 MURMUR BIG	Art. E46 DINARD	Art. E47 PORTLAND	Art. E54 PORTICCIO	Art. E68 LIPARI	Art. E69 CERTOSA	Art. E70 RODI	Art. E83 SAHARA	Art. E91 TORCELLO	Art. 832 METROPOLITAN	Art. D71 SILK	Art. B14 LOUVRE	Art. E51 TOUCH	Art. 843 HERMITAGE
X	✓	X	X	X	✓	✓	✓	✓	✓	X	✓	X	X	X	X	X	X

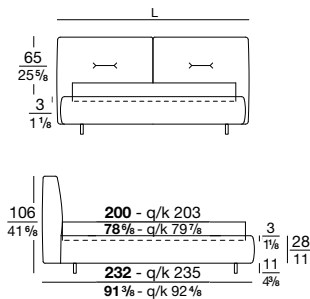
LAVORAZIONI SU MISURA CUSTOM MADE A LA MEDIDA	Modifiche dimensioni (5 cm step)			Rete 195 o 205			Rete 195 o 205			Rete 195 o 205		
	Altezza	Lunghezza	Larghezza	Rete strutturale	Box contenitore	Letto senza rete	Rete a filo longone	Rete a filo longone	Rete a filo longone	Box contenitore	Box contenitore	Letto senza rete
	Modifica altezza passo 5 cm Change in Height 5 cm pitch Modificación en altura paso de 5 cm	Modifica lunghezza passo 5 cm Change in Length 5 cm pitch Modificación en longitud paso de 5 cm	Modifica larghezza passo 5 cm Change in Width 5 cm pitch Modificación en anchura paso de 5 cm	Bed base 195 or 205 Structural bed base Somier 195 o 205 Somier strutturale	Bed base 195 or 205 Storage box NO A-BOX Somier 195 o 205 Arcon NO A-BOX	Bed base 195 or 205 Bed without bed base Somier 195 o 205 Somier sin somier	Bed base flushed with bed frame Bed without bed base Somier a ras de aro de cama. Somier estructural	Bed base flushed with bed frame Storage box Somier a ras de aro de cama. Arcon.	Bed base flushed with bed frame Bed without bed base Somier a ras de aro de cama. Somier sin somier	Bed base flushed with bed frame Storage box Somier a ras de aro de cama. Arcon.	Bed base flushed with bed frame Bed without bed base Somier a ras de aro de cama. Somier sin somier	Bed base flushed with bed frame Bed without bed base Somier a ras de aro de cama. Somier sin somier

Per le tempistiche di consegna su lavorazioni a misura contattare l'Azienda / To learn about delivery times for customizations, please contact the company / Para fecha de entrega de artículos hechos a la medida, contactar la Empresa

Giroletto H.28 senza rete con Float System

Bed frame H.28 without slatted bed base with Float System

Aro de cama H.28 sin somier con sistema Float System



Dimensioni rete/materasso

Bed base/
mattress size
Medida de
somier/colchón

Codice letto
Bed code
Código cama

H.L.P.

Tessuti - Fabrics - Telas

Pelle - Leather - Piel

Tessuto cliente L./H.
C.O.M. fabric L./H.
Tela cliente

m³ kg

			Tessuti - Fabrics - Telas				Pelle - Leather - Piel					
			Cat. B	Cat. C/D	Cat. Must	Cat. K	Cat. E	Cat. Plus	Cat. Luxury			
200x200 78% x 78%	16K205K7N	106 x 230 x 232 41% x 90% x 91%								8,50/1,40	0,87	85
193x203 k 76 x 79%	16K19KK7N	106 x 230 x 235 41% x 90% x 92%								8,50/1,40	0,87	83
180x200 70% x 78%	16K185K7N	106 x 210 x 232 41% x 82% x 91%								7,75/1,40	0,76	80
160x200 63 x 78%	16K165K7N	106 x 192 x 232 41% x 75% x 91%								7,35/1,40	0,70	79
153x203 q 60% x 79%	16K15QK7N	106 x 192 x 235 41% x 75% x 92%								7,35/1,40	0,70	79



Cod. FLOAT SUITE
H. 25
H. 9%

(sistema piedi a scomparsa)
(disappearing feet system)
(sistema de patas que desaparece)

190

Letto per rete e/o materasso da 190 (escluso misure 153x203 e 193x203)
Bed for bed base and/or mattress 190 (excluded dimensions 153x203 and 193x203)
Cama para somier y/o colchón de 190 (dimensiones excluidas 153x203 y 193x203)

210

Letto per rete e/o materasso da 210 (escluso misure 153x203 e 193x203)
Bed for bed base and/or mattress 210 (excluded dimensions 153x203 and 193x203)
Cama para somier y/o colchón de 210 (dimensiones excluidas 153x203 y 193x203)

Kit Staffa Hercules per reti divise o struttura importante vedi pag. 20
Hercules brackets set for splitted or heavy bed base see page 20
Juego de soportes Hércules para somieres en dos piezas o pesados. Ver página 20



Per rivestimento supplementare vedi pag. 157
For additional cover see page. 157
Para funda adicional, consultar página. 157



Rete in appoggio consulta patella inizio listino
For bed base see the front cover flap at the beginning
Para el somier, consulte la solapa cubierta al principio

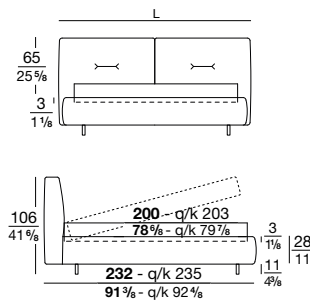


Per la scelta del materasso vedi pag. 285
For the choice of mattress see page 285
Para la elección del colchón consultar página 285

Giroletto H. 28 con box contenitore e Float System (rete Ortopedic Plus)

Bed frame H. 28 with storage box and Float System (Ortopedic Plus bed base)

Aro de cama H. 28 con arcón abatible y Float System (somier Ortopedic Plus)



Dimensioni rete/materasso

Bed base/
mattress size
Medida de
somier/colchón

Codice letto
Bed code
Código cama

H.L.P.

Tessuti - Fabrics - Telas

Pelle - Leather - Piel

Tessuto cliente L./H.
C.O.M. fabric L./H.
Tela cliente

m³ kg

			Tessuti - Fabrics - Telas				Pelle - Leather - Piel					
			Cat. B	Cat. C/D	Cat. Must	Cat. K	Cat. E	Cat. Plus	Cat. Luxury			
200x200 78% x 78%	16K205K7N KBT80C205	106 x 230 x 232 41% x 90% x 91%								8,50/1,40	1,30	173
193x203 k 76 x 79%	16K19KK7N KBT80C19K	106 x 230 x 235 41% x 90% x 92%								8,50/1,40	1,30	170
180x200 70% x 78%	16K185K7N KBT80C185	106 x 210 x 232 41% x 82% x 91%								7,75/1,40	1,05	158
160x200 63 x 78%	16K165K7N KBT80C165	106 x 192 x 232 41% x 75% x 91%								7,35/1,40	1,00	149
153x203 q 60% x 79%	16K15QK7N KBT80C15Q	106 x 192 x 235 41% x 75% x 92%								7,35/1,40	1,00	149



Cod. FLOAT SUITE
H. 25
H. 9%

(sistema piedi a scomparsa)
(disappearing feet system)
(sistema de patas que desaparece)

190

Letto per rete e/o materasso da 190 (escluso misure 153x203 e 193x203)
Bed for bed base and/or mattress 190 (excluded dimensions 153x203 and 193x203)
Cama para somier y/o colchón de 190 (dimensiones excluidas 153x203 y 193x203)

210

Letto per rete e/o materasso da 210 (escluso misure 153x203 e 193x203)
Bed for bed base and/or mattress 210 (excluded dimensions 153x203 and 193x203)
Cama para somier y/o colchón de 210 (dimensiones excluidas 153x203 y 193x203)



Per rivestimento supplementare vedi pag. 157
For additional cover see page. 157
Para funda adicional, consultar página. 157



Rete in appoggio consulta patella inizio listino
For bed base see the front cover flap at the beginning
Para el somier, consulte la solapa cubierta al principio



Per la scelta del materasso vedi pag. 285
For the choice of mattress see page 285
Para la elección del colchón consultar página 285